

Submittal Data: UMAT18HP230V1AC 18,000 BTUH Ceiling Cassette Heat Pump System

Job Name _____ **Location** _____ **Date** _____

Purchaser _____ **Engineer** _____

Submitted To _____ **For** Reference Approval Construction

Unit Designation _____ **Schedule No.** _____

GENERAL FEATURES

- Multi-Speed Fan
- 4-way Discharge Air
- Internal Condensate Drain Pump
- Wireless Remote Controllers
- Power Failure Recovery
- Sentry Condensate Overflow Protection
- Decorative Grille (Part# UMAT18GRILLE -Sold Separately)
- 5 yr. Limited Parts Warranty
- 7 year Limited Compressor Warranty



System Ratings

| | | |
|--------------------------------|-------|--------------------|
| Cooling | | |
| Rated Capacity | | 17,100 BTU/H |
| Capacity Range | | 5,400-18,700 BTU/H |
| Power Input (Max) | | 1,750 W |
| SEER | | 16.0 |
| EER | | 10.1 |
| Heating at 47° F | | |
| Rated Capacity | | 18,400 BTU/H |
| Capacity Range | | 4,700-22,200 BTU/H |
| Power Input (Max) | | 1,900 W |
| HSPF | | 9.0 |
| COP | | 3.0 |
| Heating at 17° F | | |
| Rated Capacity | | 9,900 BTU/H |
| Operating Range | | |
| Cooling | (Max) | 115°F (46 C) |
| | (Min) | 0°F (-18 C) |
| Heating | (Max) | 75°F (24 C) |
| | (Min) | 0°F (-18 C) |
| Refrigerant Piping Data | | |
| Gas Pipe Size (OD) | | 1/2-in |
| Liquid Pipe Size (OD) | | 1/4-in |
| Connection Method | | Flared |
| MAX Refrigerant Pipe Length | | 66-ft |
| MIN Refrigerant Pipe Length | | 10-ft |
| MAX Refrigerant Pipe Elevation | | 49-ft |

Indoor Unit Data

| | | |
|---------------------------------------|--------------|---------------------------|
| Fan Motor | Output Power | 1/5HP |
| | FLA | 0.5 A |
| Airflow | | |
| Cooling | Wet (Lo/Hi) | 353/445 CFM |
| Heating | Dry (Lo/Hi) | 353/445 CFM |
| Sound Pressure Level | | |
| Cooling | (Min/Max) | 37/47 db(A) |
| Heating | (Min/Max) | 37/47 db(A) |
| Dehumidification | | |
| | | 0.85 pt/hr |
| Condensate Drain Lift (Height) | | |
| | | 39-in |
| Power Supply | | |
| Normal Operational Voltage | | 208/230 V, 1 Phase, 60 Hz |
| Voltage Range | | 187 - 253 V |
| Interconnecting Cable Wire Size | | 18-2 AWG |
| MCA | | 1.0A |
| MOCP/Breaker Size | | 15A |

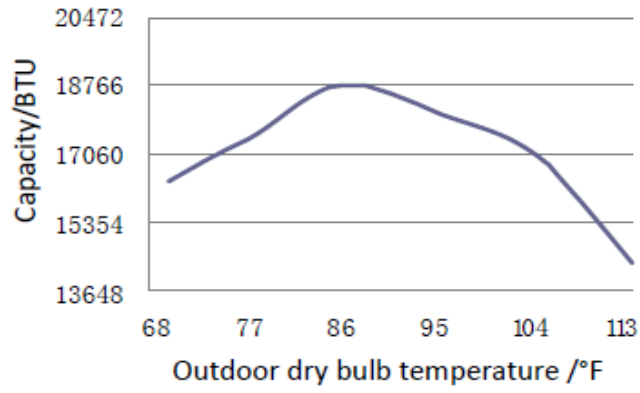
Outdoor Unit Data

| | | |
|----------------------------|--------------|---------------------------|
| Compressor | | DC Inverter Driven Rotary |
| Refrigerant Type | | R410A |
| Fan Motor | Output Power | 1/6HP |
| | FLA | 1.5 A |
| Sound Pressure | | |
| Cooling/Heating | | 56/56 db(A) |
| Power Supply | | |
| Normal Operational Voltage | | 208/230 V, 1 Phase, 60 Hz |
| Voltage Range | | 187 - 253 V |
| MCA | | 17.0A |
| MOCP/Breaker Size | | 25 A |

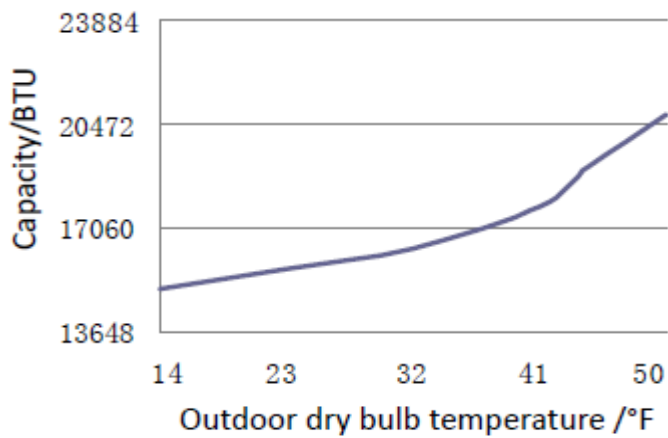


EXTENDED RATINGS

COOLING PERFORMANCE

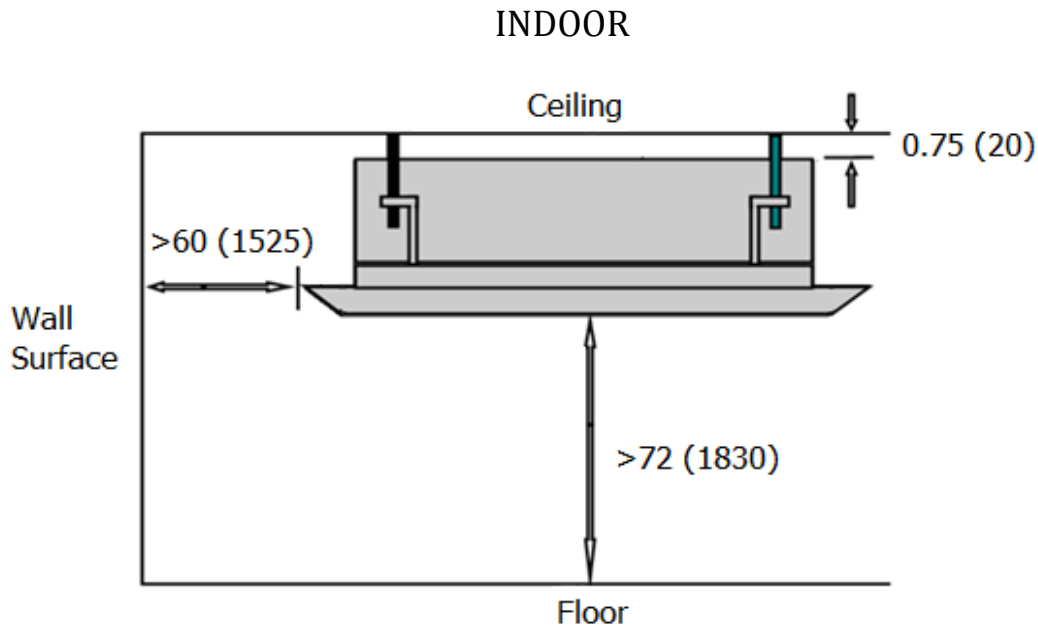


HEATING PERFORMANCE

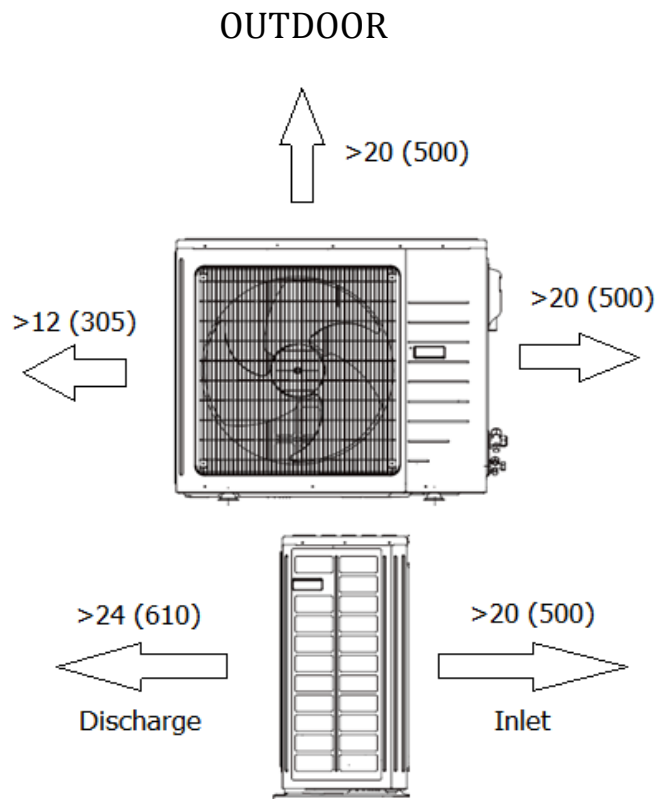


MINIMUM SPACING REQUIREMENTS

Units: inch (mm)

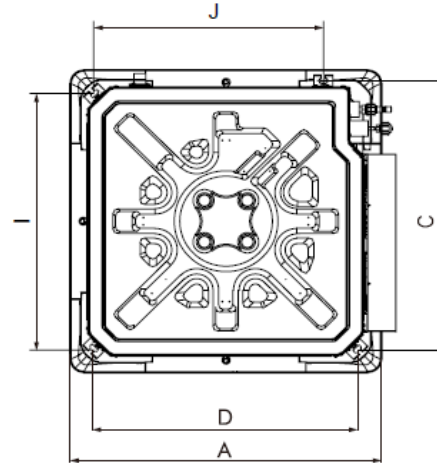
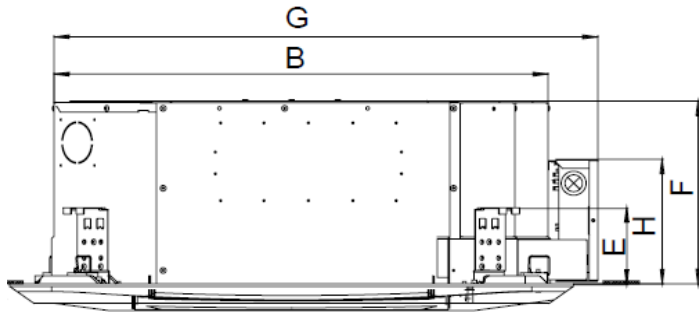


Units: inch (mm)



INDOOR UNIT DIMENSIONS & WEIGHTS

Units: inch (mm)



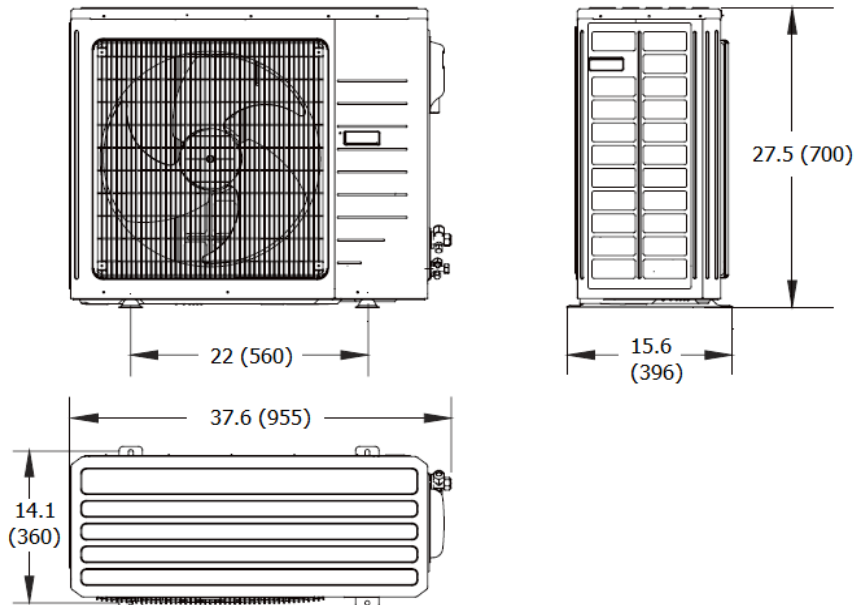
| A | B | C | D | E | F | G | H | I | J |
|-------|------|-------|--------|------|-----|--------|------|--------|--------|
| 26.38 | 23.5 | 23.25 | 22.625 | 5.75 | 9.5 | 26.125 | 9.25 | 22.625 | 19.875 |
| 670 | 596 | 592 | 575 | 145 | 240 | 665 | 236 | 575 | 505 |

| | |
|-----------------|--------|
| Net Weight | 44 lbs |
| Shipping Weight | 53 lbs |

| | |
|-------------------|------------------|
| Liquid Line Valve | 1/4-in OD Flared |
| Gas Line Valve | 1/2-in OD Flared |
| Drain Connector | 1-in OD |

OUTDOOR UNIT DIMENSIONS & WEIGHTS

Units: inch (mm)



| | |
|-----------------|---------|
| Net Weight | 106 lbs |
| Shipping Weight | 115 lbs |

| | |
|-------------------|------------------|
| Liquid Line Valve | 1/4-in OD Flared |
| Gas Line Valve | 1/2-in OD Flared |

Notes:

1. Recommended Communication Cable Type 18-2 AWG Stranded Copper THHN 600V Wire
2. Power wiring cable size must comply with applicable national and local codes.
3. Test conditions are based on AHRI 210/240.



www.greecomfort.com

Specifications are subject to change without notice. Manufacturer reserves the right to discontinue or modify specifications or designs without notice or without incurring obligations. All rights reserved.